

Click on Hose Codes to Be Linked to That Page

Cam & Groove Couplings

- Camlocks Pages 2 - 5
- Accessories & Crimp Ferrules Page 6 -7



Universal Claw Fittings
Combination Steel Fittings
Bolted Clamps

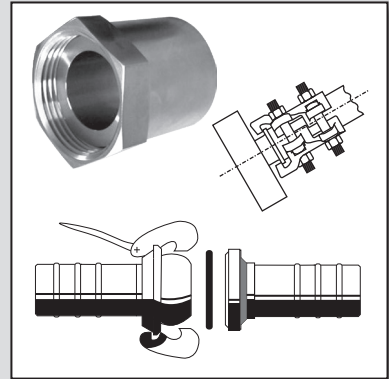
- Universal Page 13
- Interlocking Page 19

Pages 8 - 13
 Page 14



Special Purpose Fittings

- Bauer Couplings Pages 15 - 16
- Ground Joint (Steam / Air) Pages 17 - 19
- Shoulder Style Page 21
- BSM / RJT / Tri-Clover (Food) Pages 22 - 28



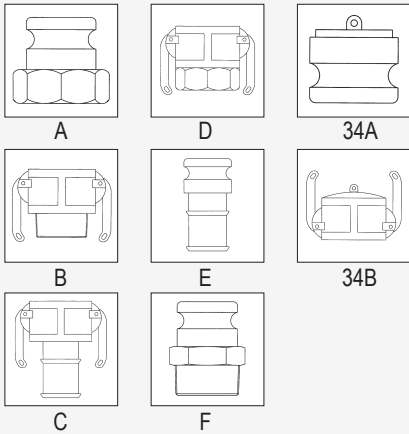
Safe Practice Requirements

Page 20



CAMLOCKS

CAM AND GROOVE COUPLINGS FOR INDUSTRIAL HOSE



Description:

- Camlock fittings used to connect two hoses or pipes together to transfer products.
- Used for transferring wide variety of liquids, dry bulk material and food products.
- No spare parts are available for this range except gaskets & safety clips.

Materials

- **Sizes:**
Made in 15mm (1/2") to 150mm (6") sizes, and available in most coupler styles including dust caps
- **Material:**
Pressure cast Aluminium*
Stainless steel 316
Brass
Polypropylene
Brass arms with steel rings
* Type C & E Gravity Cast Aluminium

Specifications:

- Interchanges dimensionally with MIL-C- 27487 couplers
(note that 15 mm size is not covered by the specification. Compatibility with other manufacturer's couplers is not guaranteed in the 15 mm size)

Crimp style type C&E can accommodate either a crimp ferrule or hose clamp.

Safety:



- Must not be used for steam or compressed air
- Camlocks made of pressure cast Aluminium must not be welded

Maximum Operating Pressure:

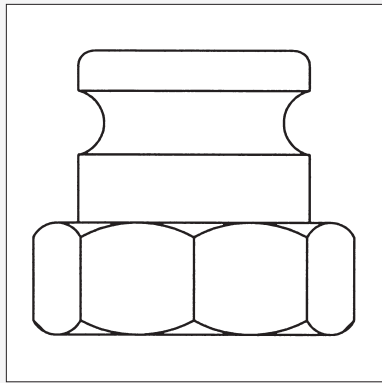
Material	3/4"	1"	1-1/4"	1-1/2"	2"	2-1/2"	3"	4"	6"
Aluminum	250	250	250	250	250	150	125	100	75
Brass	250	250	250	250	250	150	125	100	75
Stainless	250	250	250	250	250	150	125	100	75
Polypropylene	125	125	100	100	100	75	75	50	

Note: Figures are in PSI based at ambient temperature 21°C with standard Buna N Gasket

K333A

ADAPTOR

FEMALE BSPT THREAD

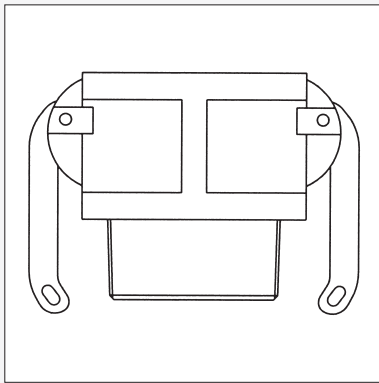


Size mm	BSPT	Alum.	Bronze	Poly-prop.	S.Steel 316	Dimensions mm		
						Length	Min. ID	Corners
15	1/2			K333A-015-PP		41	14	36
20	3/4	K333A-020-AL	K333A-020-BR	K333A-020-PP	K333A-020-SS	41	20	36
25	1	K333A-025-AL	K333A-025-BR	K333A-025-PP	K333A-025-SS	45	23	42
32	1.1/4	K333A-032-AL	K333A-032-BR	K333A-032-PP	K333A-032-SS	56	27	56
40	1.1/2	K333A-040-AL	K333A-040-BR	K333A-040-PP	K333A-040-SS	56	34	58
50	2	K333A-050-AL	K333A-050-BR	K333A-050-PP	K333A-050-SS	74	45	73
65	2.1/2	K333A-065-AL	K333A-065-BR		K333A-065-SS	83	56	86
80	3	K333A-080-AL	K333A-080-BR	K333A-080-PP	K333A-080-SS	72	72	109
100	4	K333A-100-AL	K333A-100-BR		K333A-100-SS	81	98	140
125	5	K333A-125-AL			K333A-150-SS	86	120	162
150	6	K333A-150-AL				93	149	197

K333B

COUPLER

MALE BSPT THREAD



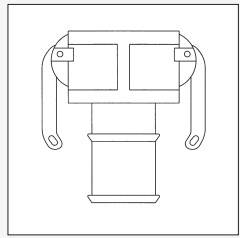
Size mm	BSPT	Alum.	Bronze	Poly-prop.	S.Steel 316	Dimensions mm *		
						Length	Max Ø	Min ID
15	1/2"			K333B-015-PP				
20	3/4"	K333B-020-AL	K333B-020-BR	K333B-020-PP	K333B-020-SS	53	54	19
25	1"	K333B-025-AL	K333B-025-BR	K333B-025-PP	K333B-025-SS	70	64	24
32	1.1/4"	K333B-032-AL	K333B-032-BR	K333B-032-PP	K333B-032-SS	73	80	31
40	1.1/2"	K333B-040-AL	K333B-040-BR	K333B-040-PP	K333B-040-SS	70	90	38
50	2"	K333B-050-AL	K333B-050-BR	K333B-050-PP	K333B-050-SS	80	100	48
65	2.1/2"	K333B-065-AL	K333B-065-BR		K333B-065-SS	90	112	70
80	3"	K333B-080-AL	K333B-080-BR	K333B-080-PP	K333B-080-SS	94	134	74
100	4"	K333B-100-AL	K333B-100-BR		K333B-100-SS	100	165	94
125	5"	K333B-125-AL						
150	6"	K333B-150-AL			K333B-150-SS	141	260	135

* Max Outside Diameter applies with cam levers in closed position

K333C

COUPLER

HOSE TAIL inc. Crimp Style Tail (add C to back of part number)



Size mm	Tail inches	Aluminium	Dimensions mm		Brass	Dimensions mm		Polypropylene	Dimensions mm		316 Stainless Steel	Dimensions mm	
			Length	Max. Ø *		Length	Max. Ø *		Length	Max. Ø *		Length	Max. Ø *
20	3/4"	K333C-020-AL	87	54	K333C-020-BR	83	54	K333C-020-PP	85	54	K333C-020-SS	83	54
		K333C-020-ALC	82.3	54	K333C-020-BRC	90	54	-	-	-	K333C-020-SSC	82.3	54
25	1"	K333C-025-AL	99	64	K333C-025-BR	98	64	K333C-025-PP	98	64	K333C-025-SS	96	64
		K333C-025-ALC	99.5	64	K333C-025-BRC	101.5	64	-	-	-	K333C-025-SSC	99.5	64
32	1.1/4"	K333C-032-AL	101	80	K333C-032-BR	98	80	K333C-032-PP	102	80	K333C-032-SS	104	80
		K333C-032-ALC	111.5	80	K333C-032-BRC	111	80	-	-	-	K333C-032-SSC	111.5	80
40	1.1/2"	K333C-040-AL	122	90	K333C-040-BR	108	90	K333C-040-PP	107	90	K333C-040-SS	104	90
		K333C-040-ALC	118.7	90	K333C-040-BRC	119	90	-	-	-	K333C-040-SSC	118.7	90
50	2"	K333C-050-AL	138	100	K333C-050-BR	124	100	K333C-050-PP	124	100	K333C-050-SS	124	100
		K333C-050-ALC	132.1	100	K333C-050-BRC	127.2	100	-	-	-	K333C-050-SSC	132.1	100
65	2.1/2"	K333C-065-AL	136	112	K333C-065-BR	137	112	-	-	-	K333C-065-SS	143	112
		K333C-065-ALC	143.1	112	K333C-065-BRC	145.5	112	-	-	-	K333C-065-SSC	143.1	112
80	3"	K333C-080-AL	156	134	K333C-080-BR	149	134	K333C-080-PP	162	134	K333C-080-SS	162	134
		K333C-080-ALC	161	134	K333C-080-BRC	164.8	134	-	-	-	K333C-080-SSC	161	134
100	4"	K333C-100-AL	168	165	K333C-100-BR	160	165	-	-	-	K333C-100-SS	165	165
		K333C-100-ALC	169.3	165	K333C-100-BRC	171	165	-	-	-	K333C-100-SSC	169.3	165
150	6"	K333C-150-AL	222	230	-	-	-	-	-	-	-	-	-
		K333C-150-ALC	228	230	-	-	-	-	-	-	-	-	-

* Max Outside Diameter applies with cam levers in closed position

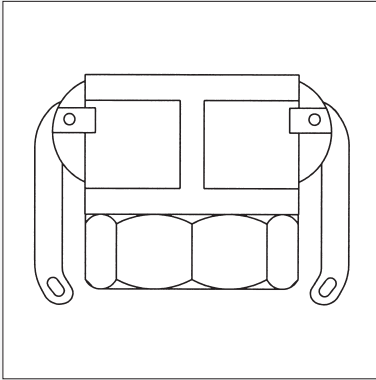


This page is part of a complete catalogue containing technical and safety data. All data must be reviewed when selecting a product. Pirtek reserve the right to change technical specifications without notice

K333D

COUPLER

FEMALE BSPT THREAD



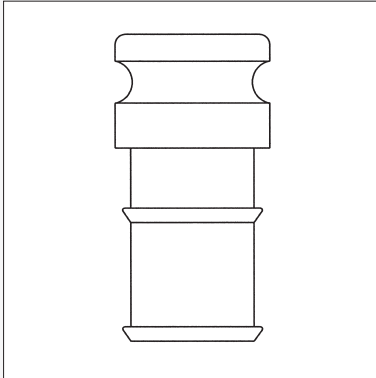
Size mm	BSPT	Alum.	Bronze	Poly-prop.	S.Steel 316	Dimensions mm *		
						Length	Min. ID	Max Ø
15	1/2"			K333D-015-PP		51	16	54
20	3/4"	K333D-020-AL	K333D-020-BR	K333D-020-PP	K333D-020-SS	51	22	54
25	1"	K333D-025-AL	K333D-025-BR	K333D-025-PP	K333D-025-SS	68	24	64
32	1.1/4"	K333D-032-AL	K333D-032-BR	K333D-032-PP	K333D-032-SS	75	34	80
40	1.1/2"	K333D-040-AL	K333D-040-BR	K333D-040-PP	K333D-040-SS	72	36	90
50	2"	K333D-050-AL	K333D-050-BR	K333D-050-PP	K333D-050-SS	78	49	100
65	2.1/2"	K333D-065-AL	K333D-065-BR		K333D-065-SS	90	71	112
80	3"	K333D-080-AL	K333D-080-BR	K333D-080-PP	K333D-080-SS	91	75	134
100	4"	K333D-100-AL	K333D-100-BR		K333D-100-SS	97	94	165
125	5"	K333D-125-AL				100	120	191
150	6"	K333D-150-AL			K333D-150-SS	141	145	260

* Max Outside Diameter applies with cam levers in closed position

K333E

ADAPTOR

HOSE TAIL inc. Crimp Style Tail (add C to back of Part Number)

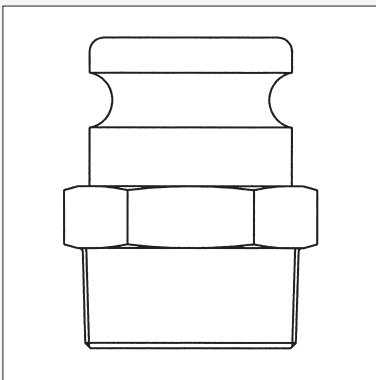


Size mm	Tail inches	Aluminium	Dimensions mm	Brass	Dimensions mm	Polypropylene	Dimensions mm	316 Stainless Steel	Dimensions mm
			Length		Length		Length		Length
20	3/4"	K333E-020-AL	93	K333E-020-BR	87	K333E-020-PP	95	K333E-020-SS	86
		K333E-020-ALC	95	K333E-020-BRC	94	-	-	K333E-020-SSC	87.3
25	1"	K333E-025-AL	110	K333E-025-BR	97	K333E-025-PP	104	K333E-025-SS	106
		K333E-025-ALC	112	K333E-025-BRC	107	-	-	K333E-025-SSC	107.5
32	1.1/4"	K333E-032-AL	110	K333E-032-BR	105	K333E-032-PP	102	K333E-032-SS	109
		K333E-032-ALC	119	K333E-032-BRC	117	-	-	K333E-032-SSC	118
40	1.1/2"	K333E-040-AL	115	K333E-040-BR	111	K333E-040-PP	109	K333E-040-SS	114
		K333E-040-ALC	125.5	K333E-040-BRC	127.5	-	-	K333E-040-SSC	127.2
50	2"	K333E-050-AL	147	K333E-050-BR	130	K333E-050-PP	123	K333E-050-SS	130
		K333E-050-ALC	141.5	K333E-050-BRC	128.9	-	-	K333E-050-SSC	143.1
65	2.1/2"	K333E-065-AL	146	K333E-065-BR	140	-	-	K333E-065-SS	149
		K333E-065-ALC	151.5	K333E-065-BRC	154	-	-	K333E-065-SSC	154.5
80	3"	K333E-080-AL	166	K333E-080-BR	165	K333E-080-PP	139	K333E-080-SS	165
		K333E-080-ALC	170.8	K333E-080-BRC	164.3	-	-	K333E-080-SSC	171
100	4"	K333E-100-AL	179	K333E-100-BR	162	-	-	K333E-100-SS	179
		K333E-100-ALC	180.2	K333E-100-BRC	174	-	-	K333E-100-SSC	180.3
150	6"	K333E-150-AL	240	-	-	-	-	-	-
		K333E-150-ALC	250	-	-	-	-	-	-

K333F

ADAPTOR

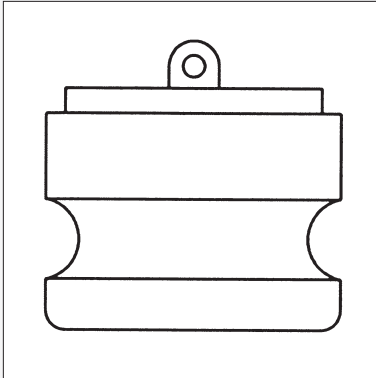
MALE BSPT THREAD



Size mm	BSPT	Alum.	Bronze	Poly-prop.	S.Steel 316	Dimensions mm		
						Length	Min. ID	Corners
15	1/2"			K333F-015-PP		59	14	36
20	3/4"	K333F-020-AL	K333F-020-BR	K333F-020-PP	K333F-020-SS	59	19	36
25	1"	K333F-025-AL	K333F-025-BR	K333F-025-PP	K333F-025-SS	72	23	42
32	1.1/4"	K333F-032-AL	K333F-032-BR	K333F-032-PP	K333F-032-SS	81	28	56
40	1.1/2"	K333F-040-AL	K333F-040-BR	K333F-040-PP	K333F-040-SS	77	34	57
50	2"	K333F-050-AL	K333F-050-BR	K333F-050-PP	K333F-050-SS	92	45	73
65	2.1/2"	K333F-065-AL	K333F-065-BR		K333F-065-SS	102	57	86
80	3"	K333F-080-AL	K333F-080-BR	K333F-080-PP	K333F-080-SS	109	74	110
100	4"	K333F-100-AL	K333F-100-BR		K333F-100-SS	116	97	135
125	5"	K333F-125-AL						
150	6"	K333F-150-AL			K333F-150-SS	137	149	197

K334A

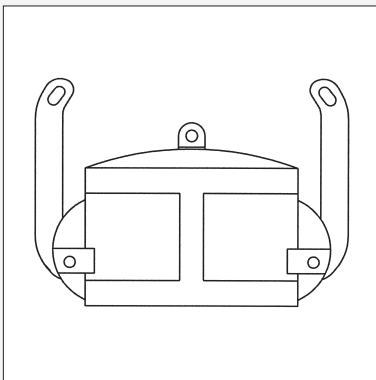
DUST PLUG



Size mm	Size	Alum.	Bronze	Poly-prop.	S.Steel 316	Dimensions mm		
						Length	Max. Ø	
15	1/2					38	33	
20	3/4	K334A-020-AL	K334A-020-BR	K334A-020-PP	K334A-020-SS	38	33	
25	1	K334A-025-AL	K334A-025-BR	K334A-025-PP	K334A-025-SS	47	37	
32	1.1/4	K334A-032-AL	K334A-032-BR	K334A-032-PP	K334A-032-SS	51	46	
40	1.1/2	K334A-040-AL	K334A-040-BR	K334A-040-PP	K334A-040-SS	51	54	
50	2	K334A-050-AL	K334A-050-BR	K334A-050-PP	K334A-050-SS	58	64	
65	2.1/2	K334A-065-AL	K334A-065-BR		K334A-065-SS	58	76	
80	3	K334A-080-AL	K334A-080-BR	K334A-080-PP	K334A-080-SS	59	92	
100	4	K334A-100-AL	K334A-100-BR		K334A-100-SS	61	120	
125	5	K334A-125-AL				69	146	
150	6	K334A-150-AL			K334A-150-SS	73	176	

K334B

DUST CAP



Size mm	Size	Alum.	Bronze	Poly-prop.	S.Steel 316	Dimensions mm *		
						Length	Max Ø	
15	1/2"					50	54	
20	3/4"	K334B-020-AL	K334B-020-BR	K334B-020-PP	K334B-020-SS	50	54	
25	1"	K334B-025-AL	K334B-025-BR	K334B-025-PP	K334B-025-SS	61	64	
32	1.1/4"	K334B-032-AL	K334B-032-BR	K334B-032-PP	K334B-032-SS	82	80	
40	1.1/2"	K334B-040-AL	K334B-040-BR	K334B-040-PP	K334B-040-SS	83	90	
50	2"	K334B-050-AL	K334B-050-BR	K334B-050-PP	K334B-050-SS	85	100	
65	2.1/2"	K334B-065-AL	K334B-065-BR		K334B-065-SS	87	112	
80	3"	K334B-080-AL	K334B-080-BR	K334B-080-PP	K334B-080-SS	99	134	
100	4"	K334B-100-AL	K334B-100-BR		K334B-100-SS	99	165	
125	5"	K334B-125-AL				99	191	
150	6"	K334B-150-AL			K334B-150-SS	141	260	

* Max Outside Diameter applies with cam levers in closed position

CAM & GROOVE ACCESSORIES

CRIMP FERRULES

Suit Camlocks & Combination Nipples

Material: 304 Stainless Steel

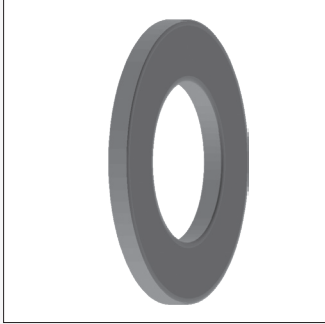


Part Number	Suit Hose	I.D (mm)	O.D (mm)	Thickness (mm)	Length (mm)
CIFSS019-33.4	3/4"	33.4	36.4	1.5	58
CIFSS019-34.9	3/4"	34.9	37.9	1.5	58
CIFSS025-38.1	1"	38.1	41.1	1.5	58
CIFSS025-39.7	1"	39.7	42.7	1.5	58
CIFSS025-42.9	1"	42.9	45.9	1.5	58
CIFSS032-46.1	1.1/4"	46.1	49.1	1.5	65
CIFSS032-47.6	1.1/4"	47.6	50.6	1.5	65
CIFSS032-49.2	1.1/4"	49.2	52.2	1.5	65
CIFSS038-50.8	1.1/2"	50.8	53.8	1.5	65
CIFSS038-52.4	1.1/2"	52.4	55.4	1.5	65
CIFSS038-54.0	1.1/2"	54.0	57.0	1.5	65
CIFSS038-55.6	1.1/2"	55.6	58.6	1.5	65
CIFSS038-57.2	1.1/2"	57.2	60.2	1.5	65
CIFSS051-63.5	2"	63.5	66.5	1.5	71
CIFSS051-65.1	2"	65.1	68.1	1.5	71
CIFSS051-66.7	2"	66.7	69.7	1.5	71
CIFSS051-68.3	2"	68.3	71.3	1.5	71
CIFSS051-69.9	2"	69.9	72.9	1.5	71
CIFSS051-71.5	2"	71.5	74.5	1.5	71
CIFSS051-74.6	2"	74.6	77.6	1.5	71
CIFSS063-76.2	2.1/2"	76.2	79.2	1.5	71
CIFSS063-84.2	2.1/2"	84.2	88.8	2.3	100
CIFSS063-85.7	2.1/2"	85.7	90.3	2.3	100
CIFSS063-87.3	2.1/2"	87.3	91.9	2.3	100
CIFSS076-88.9	3"	88.9	93.5	2.3	100
CIFSS076-92.1	3"	92.1	96.7	2.3	100
CIFSS076-93.7	3"	93.7	98.3	2.3	100
CIFSS076-95.3	3"	95.3	99.9	2.3	100
CIFSS076-96.9	3"	96.9	101.5	2.3	100
CIFSS076-98.4	3"	98.4	103.0	2.3	100
CIFSS076-100	3"	100.0	104.6	2.3	100
CIFSS102-112.7	4"	112.7	117.3	2.3	106
CIFSS102-115.9	4"	115.9	120.5	2.3	106
CIFSS102-119.1	4"	119.1	123.7	2.3	106
CIFSS102-122.3	4"	122.3	126.9	2.3	106
CIFSS102-123.8	4"	123.8	128.4	2.3	106
CIFSS102-127	4"	127.0	131.6	2.3	106
CIFSS152-165.1	6"	165.1	171.1	3.0	144
CIFSS152-177.8	6"	177.8	183.8	3.0	144
CIFSS152-184.2	6"	184.2	190.2	3.0	144

GASKETS

TO SUIT CAM AND GROOVE COUPLERS

Material: Buna N



Coupling Size	Part Number	"Dimensions (mm) OD x ID"
1/2" / 3/4"	K3CG-020-B	35 x 22
1"	K3CG-025-B	40 x 27
1.1/4"	K3CG-032-B	49 x 35
1.1/2"	K3CG-040-B	56 x 41
2"	K3CG-050-B	67 x 51
2.1/2"	K3CG-065-B	79 x 60
3"	K3CG-080-B	94 x 76
4"	K3CG-100-B	124 x 102
5"	K3CG-125-B	151 x 124
6"	K3CG-150-B	179 x 152

REPLACEMENT SAFETY CLIP

Suits all size camlocks

Material: Stainless Steel



Part Number	Description
KSC	S/S Safety Clip for Camlock arms

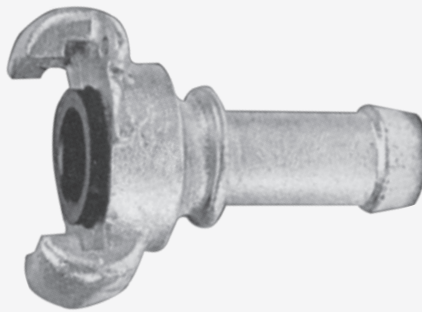
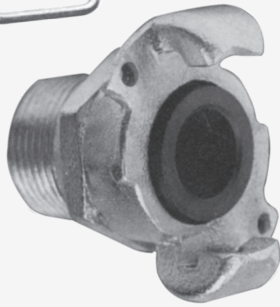
UNIVERSAL HOSE FITTINGS

TAILS, ADAPTORS AND CLAMPS

UNIVERSAL SAFETY CLIP



UNIVERSAL CLAW COUPLINGS (TYPE A/B/S)



CLAW TYPE SAFETY CLAMP (UCC)



Description:

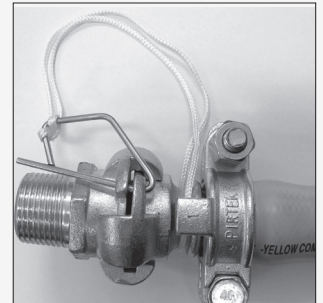
- Widely used claw couplings to provide simple and reliable air tight connections
- Use of a safety locking pin is necessary to ensure full alignment of the matching holes, which in turn guarantees full engagement of the locking claws and precludes accidental disconnection
- European (Type A) and American (Type B) types have become established in Australia. They are not interchangeable except for sealing rubbers and safety clips
- Australian (Type S) not interchangeable with A or B
- Comply to AS2554 and AS2660 Australian Standards.

Materials and Sizes:

- Sizes:** Made in 13mm (1/2") to 25mm (1") sizes, along with adaptors and plugs
Type S up to 3"
- Material:** Spheroidal Graphite (SG) Iron
Natural Rubber seal Temp range -25 °C to 70 °C
- Types:**
Type A: European (no stop point in lug area)
Type B: American (stop point inside lug)
Both types utilise the same safety clips and rubber seals, but are otherwise not interchangeable
Type S: Australian (Larger connection head then type A)

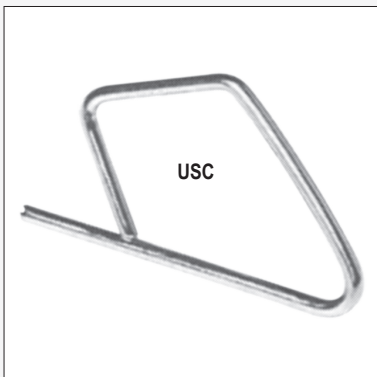
Specifications:

- Max. Working Pressure 3500 kPa (500 psi) Type A & B
- Max. Working Pressure 6894 kPa (1000 psi) Type S (3" 500 psi)
- Clamps:
Use with Pirtek UCC with safety claws for positive engagement with the tail collar



USC

UNIVERSAL SAFETY CLIP



UNIVERSAL SAFETY CLIP PRODUCT CODE		
Coupling Size	Product Code	
All	USC	Safety Clip
All	USCL	Safety Clip Lanyard

Pirtek's Lanyard for use with Universal Safety Clips makes sure that your Safety Clips never go missing.

Available in a pack quantity of 25 as Product Code **USCL**

USCL

SAFETY CLIP LANYARD



UHA

UNIVERSAL HOSE TAIL TYPE A



UNIVERSAL HOSE TAIL TYPE A PRODUCT CODES		
Hose Size (ID)	Product Code	
1/2"	UHA-013	
3/4"	UHA-020	
1"	UHA-025	

UHB

UNIVERSAL HOSE TAIL TYPE B



UNIVERSAL HOSE TAIL TYPE B PRODUCT CODES		
Hose Size (ID)	Product Code	
1/2"	UHB-013	
3/4"	UHB-020	
1"	UHB-025	

UHS

UNIVERSAL HOSE TAIL TYPE S

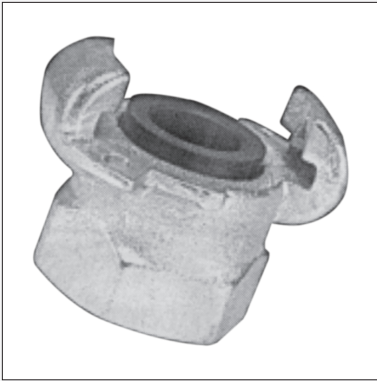


UNIVERSAL HOSE TAIL TYPE S PRODUCT CODES		
Hose Size (ID)	Product Code	Head Size
1/2"	UHS-013	SMALL
3/4"	UHS-020	SMALL
1"	UHS-025	SMALL
1.1/4"	UHS-032	SMALL
1.1/2"	UHS-038	MEDIUM
2"	UHS-050	MEDIUM
3"	UHS-075	LARGE

UFA BSPT Thread

UNIVERSAL FEMALE ADAPTOR

TYPE A

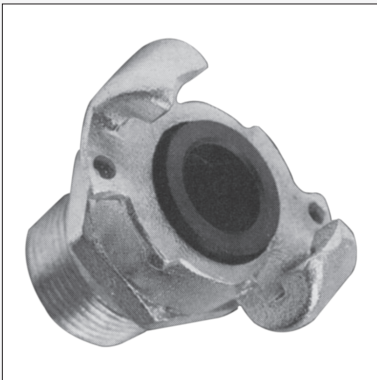


UNIVERSAL FEMALE ADAPTOR TYPE A PRODUCT CODES		
Coupling Size	Product Code	
1/2"	UFA-013	
3/4"	UFA-020	
1"	UFA-025	

UMA BSPT Thread

UNIVERSAL MALE ADAPTOR

TYPE A

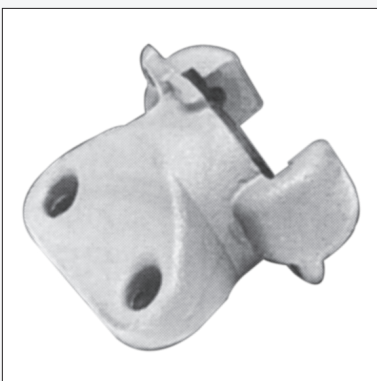


UNIVERSAL MALE ADAPTOR TYPE A PRODUCT CODES		
Coupling Size	Product Code	
1/2"	UMA-013	
3/4"	UMA-020	
1"	UMA-025	

UBEA

UNIVERSAL BLANK END

TYPE A



UNIVERSAL BLANK END TYPE A PRODUCT CODE		
Coupling Size	Product Code	
All	UBEA	

UFB NPT Thread

UNIVERSAL FEMALE ADAPTOR

TYPE B



UNIVERSAL FEMALE ADAPTOR TYPE B PRODUCT CODES		
Coupling Size	Product Code	
1/2"	UFB-013	
3/4"	UFB-020	
1"	UFB-025	

UMB NPT Thread

UNIVERSAL MALE ADAPTOR

TYPE B

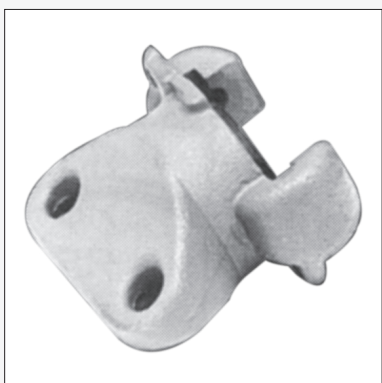


UNIVERSAL MALE ADAPTOR TYPE B PRODUCT CODES		
Coupling Size	Product Code	
1/2"	UMB-013	
3/4"	UMB-020	
1"	UMB-025	

UBEB

UNIVERSAL BLANK END

TYPE B



UNIVERSAL BLANK END TYPE B PRODUCT CODE		
Coupling Size	Product Code	
All	UBEB	

UFS BSPP Thread

UNIVERSAL FEMALE ADAPTOR

TYPE S

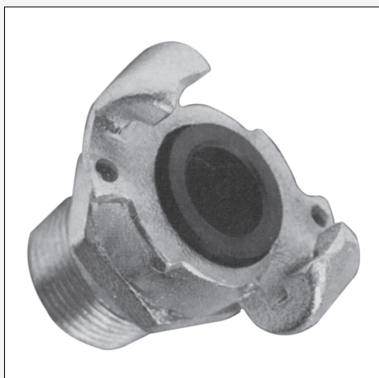


UNIVERSAL FEMALE ADAPTOR TYPE S PRODUCT CODES		
Thread Size	Product Code	Head Size
1/2"	UFS-013	SMALL
3/4"	UFS-020	SMALL
1"	UFS-025	SMALL
1.1/2"	UFS-038	MEDIUM
2"	UFS-050	MEDIUM
3"	UFS-075	LARGE

UMS BSPT Thread

UNIVERSAL MALE ADAPTOR

TYPE S

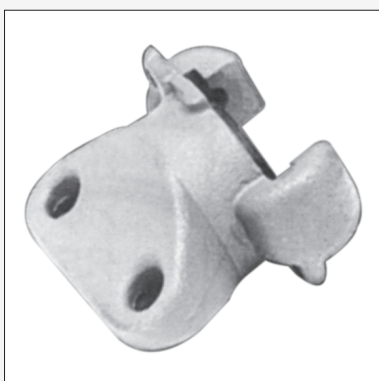


UNIVERSAL MALE ADAPTOR TYPE S PRODUCT CODES		
Thread Size	Product Code	Head Size
1/2"	UMS-013	SMALL
3/4"	UMS-020	SMALL
1"	UMS-025	SMALL
1.1/2"	UMS-038	MEDIUM
2"	UMS-050	MEDIUM
3"	UMS-075	LARGE

UBES

UNIVERSAL BLANK END

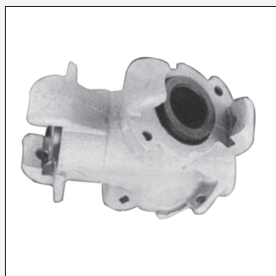
TYPE S



UNIVERSAL BLANK END TYPE S PRODUCT CODES		
Coupling Size	Product Code	Head Size
3/8" - 1.1/4"	UBES-SML	SMALL

UTCA / UTCB / UTCS

UNIVERSAL TRIPLE CONNECTOR TYPE A , TYPE B & TYPE S



THREE WAY CONNECTOR	
Product Code	Suits
UTCA	Type A Couplings
UTCB	Type B Couplings
UTCS-SML	Type S Small Head
UTCS-MED	Type S Medium Head

ULW

UNIVERSAL LUG WASHER NATURAL RUBBER



UNIVERSAL COUPLER LUG WASHER PRODUCT CODE		
Coupling Size	Product Code	
All	ULW	Type A & B
3/8" - 1 1/4"	ULWS - SMALL	Type S
1 1/2" - 2"	ULWS - MEDIUM	Type S
3"	ULWS - LARGE	Type S

DBC

DOUBLE BOLT CLAMP



DOUBLE BOLT CLAMP PRODUCT CODES		
Clamp Size	Product Code	Hose OD Range mm
1/2"	DBC-013	22-29
3/4"	DBC-020	28-34
1"	DBC-025	32-40

UCC

UNIVERSAL CLAW CLAMP



UNIVERSAL CLAW CLAMP PRODUCT CODES			
Clamp Size	Product Code	Hose OD Range mm	Hex Nut AF
1/2"	UCC22-29	22-29	14 mm
3/4"	UCC28-37	28-37	14 mm
1"	UCC35-42	35-42	17 mm
1.1/2"*	UCC51-57	51-57	20.8mm
2**	UCC64-71	64-71	20.8mm

* Supplied with provision for D shackle & chain (6mm holes)

UCCC

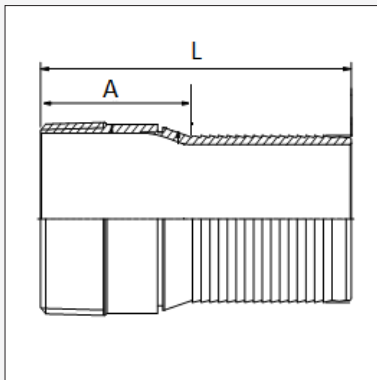
CHAIN & SHACKLE RESTRAINT



CHAIN & SHACKLE RESTRAINT PRODUCT CODES		
Product Code	Description	Dimensions
UCCC	Chain & 'D' shackles 430mm L suit 1.1/2" & 2" UCC Claw Clamps	Chain dia. 5mm

CNS

COMBINATION NIPPLE STEEL inc. Crimp Style Tail - CNSC/CNSSC



Hose Size	Plated Steel	Thread	Dimensions mm		"316 Stainless Steel"	Thread	Dimensions mm	
		BSPT	A	L		BSPT	A	L
1/2"	CNSCB-013	1/2"	48	88.1	CNSSCB-013	1/2"	48	88.1
3/4"	CNSCB-020	3/4"	52.7	97.5	CNSSCB-020	3/4"	52.7	97.5
1"	CNSCB-025	1"	62	112	CNSSCB-025	1"	62	112
1.1/4"	CNS-032	1.1/4"	50	86	-	-	-	-
	CNSCB-032		64	114	CNSSCB-032	1.1/4"	64	114
1.1/2"	CNS-040	1.1/2"	54	103	-	-	-	-
	CNSCB-040		61	120	CNSSCB-040	1.1/2"	61	120
2"	CNS-050	2"	62	125	-	-	-	-
	CNSCB-050		66	133.5	CNSSCB-050	2"	66	133.5
2.1/2"	CNS-063	2.1/2"	74	140	-	-	-	-
	CNSCB-065		76	157	CNSSCB-065	2.1/2"	76	157
3"	CNS-075	3"	85	162	-	-	-	-
	CNSCB-080		87	178	CNSSCB-080	3"	87	178
4"	CNS-100	4"	96	180	-	-	-	-
	CNSCB-100		90	191	CNSSCB-100	4"	90	191

Maximum working pressure 25 Bar, 3:1 safety factor

HMS

HOSE MENDER STEEL



HOSE MENDER STEEL PRODUCT CODES	
Hose Size	Product Code
3/8"	HMS-010
1/2"	HMS-013
3/4"	HMS-020
1"	HMS-025
1 1/4"	HMS-032
1 1/2"	HMS-038
2"	HMS-050
2 1/2"	HMS-063
3"	HMS-075
4"	HMS-100

CLAMPS

TO SUIT CNS, HMS

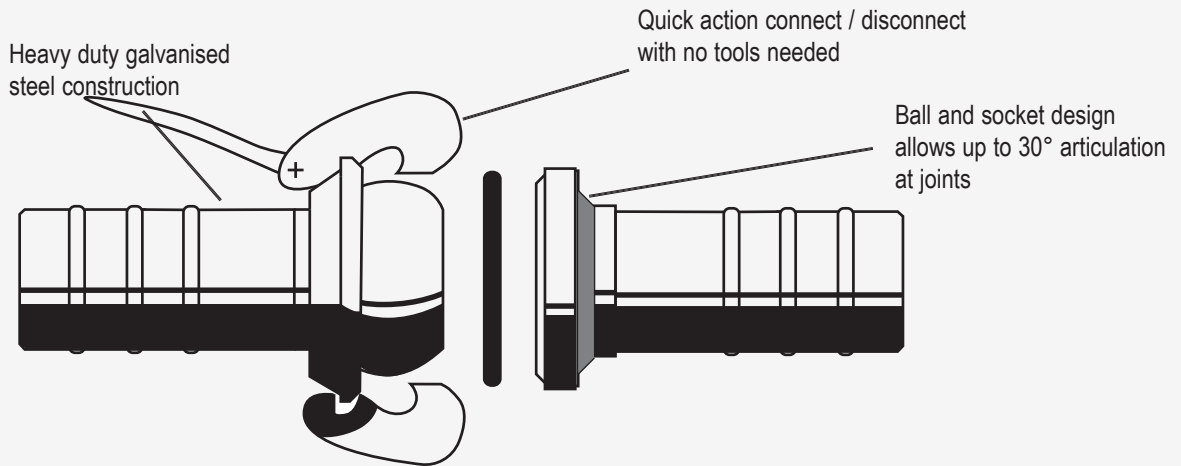
REFER CATALOGUE SECTION M



CLAMPING ARRANGEMENTS FOR COMBINATION NIPPLES AND HOSE MENDERS

Please consult Pirtek Product Catalogue Section M Clamps & Clamping Systems for details of clamps suited to use with Combination Steel Nipples and Hose Menders.

Continuous band and preformed band clamps are generally the preferred option on larger, more demanding applications, but worm drive, 2-eared and heavy duty clamps all have roles to play in different applications. If in doubt, please consult Pirtek



Description:

- Rugged galvanised steel couplings with quick action connect / disconnect requiring no tools and no loose parts
- Can be connected even in the dark
- Allows coupling articulation of up to 30° angle
- Can be used even on difficult terrain
- Suction and pressure proof whilst subject to tensile stress
- Resists heat up to 110 °C with special seals

Materials and Specifications:

- Produced from high grade tensile steel
- Abrasion resistant hot dip galvanising according to DIN 50976
- Standard Buna Nitrile O Ring
- Also optionally available in stainless steel to special order

Working Pressures:

- Suction and pressure proof up to 12 bar/g with all types of media, subject to suitable seal material options

Fluid Media:

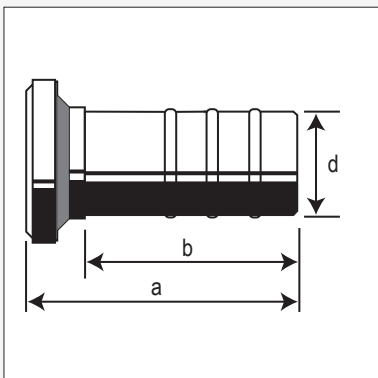
- Potable drinking water, waste water, compressed air gases and exhaust fumes, sludge, mortar, crude oil and oil products, bentonite, pneumatic loading of powder products, and many more, *subject to suitable seal options.*
- The stainless steel range is suitable for food and pharmaceutical industries.

Applications:

- Mining and tunnelling, civil engineering projects, road construction, delivery of fresh water and compressed air.
- Suction and delivery lines for site dewatering, on and offshore drilling, ship to shore transfer.
- In civil and military emergencies, drinking water supply lines, sludge and waste, disaster and fire and oil industry applications.
- Pneumatic conveyance systems for powder and granular materials. Vacuum loading and extraction systems.

BAUF

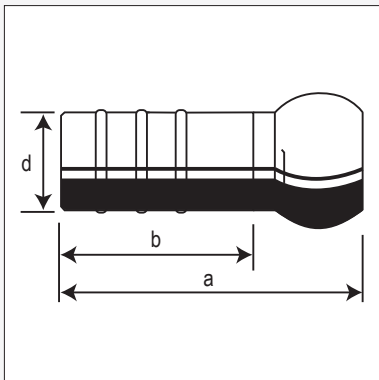
BAUER FEMALE SPIGOT



Product Code	Nominal ID			Weight	Dimensions mm				
	Side A				a	b	d		
	Dash	Inch	DN						
BAUF-100	64	4	100	1.70	266	208	100		
BAUF-150	96	6	150	3.30	282	232	150		
BAUF-200	128	8	200	4.30	346	270	200		

BAUM

BAUER MALE SPIGOT

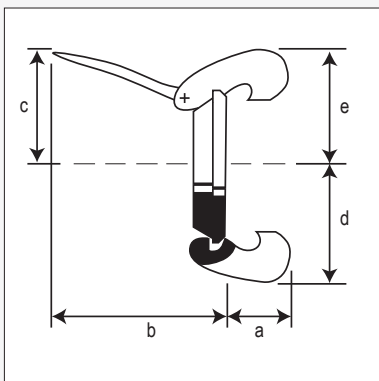


Product Code	Nominal ID			Weight	Dimensions mm				
	Side A				kg	a	b	d	
	Dash	Inch	DN						
BAUM-100	64	4	100	1.70	313	208	100		
BAUM-150	96	6	150	3.35	350	232	150		
BAUM-200	128	8	200	3.90	397	270	200		



BAUCR

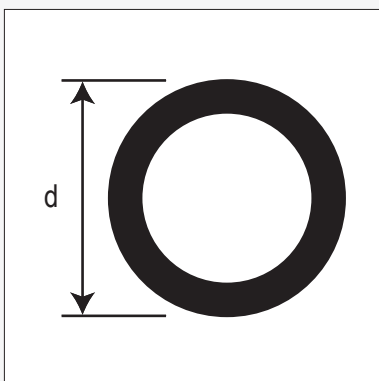
BAUER CLOSURE RING



Product Code	Nominal ID			Weight	Dimensions mm				
	Side A				kg	a	b	c	d
	Dash	Inch	DN						
BAUCR-100	64	4	100	1.80	65	210	114	115	123
BAUCR-150	96	6	150	4.05	90	170	157	152	150
BAUCR-200	128	8	200	6.10	100	160	186	180	177

BAUOR

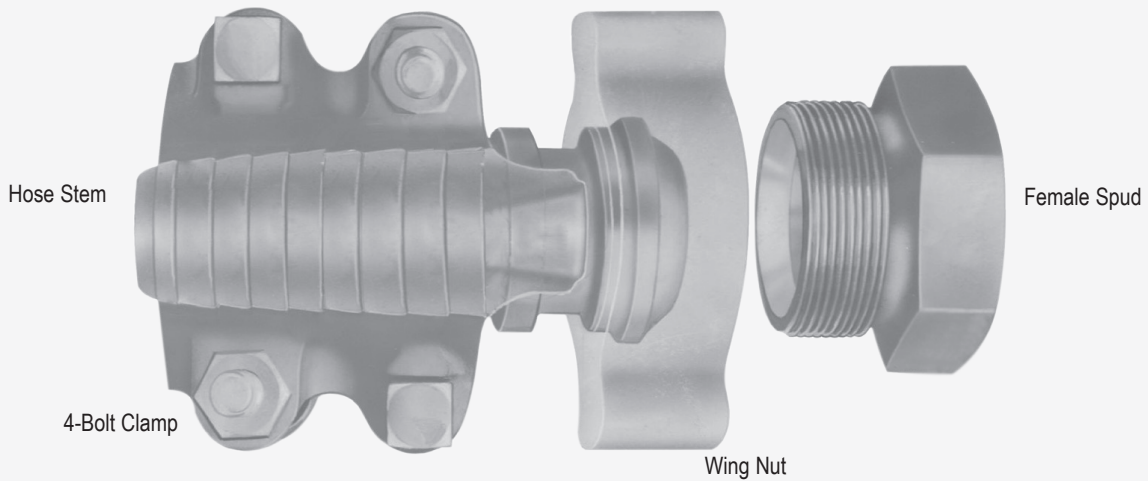
BAUER O-RING



Product Code	Nominal ID			Weight	Dimensions mm				
	Side A				kg	d			
	Dash	Inch	DN						
BAUOR-100	64	4	100	0.09	108				
BAUOR-150	96	6	150	0.21	159				
BAUOR-200	128	8	200	0.25	194				

This page is part of a complete catalogue containing technical and safety data. All data must be reviewed when selecting a product. Pirtek reserve the right to change technical specifications without notice

GROUND JOINT FITTINGS



Description:

- A robust fitting suited to a wide range of applications
- Used to join hoses or to attach a hose to a piece of equipment using BSP threads
- Can be safely used for steam or high pressure air

Materials and Sizes:

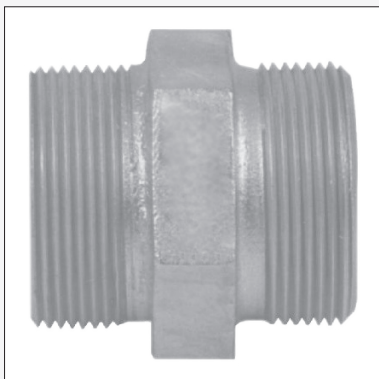
- **Sizes:**
Available in 1" and 3/4" sizes, both of which use a commonly sized wing nut thread
The thread of the Spud / Wing Nut is common to both sizes - only the BSP thread varies
- **Material:**
Plated steel

Operation:

The Spud part of the coupling normally serves as the anchored attachment point on the equipment.

The hose stem and nut are bolted to the hose with a 2-bolt or 4-bolt interlocking clamp. The heavy duty winged nut allows easy and secure attachment to the Spud, using a hammer if needed

GJD DOUBLE SPUD FOR JOINING HOSES



DOUBLE SPUD		
Spud Size	Product Code	
-025	GJD-025	

Note that this Adaptor is common to both 3/4" and 1" sizes, since the threaded Spud size is common to all sizes

GJF / GJFN

FEMALE SPUD
FEMALE BSPT / NPT THREAD



FEMALE SPUD		
Coupling Size	Product Code	Female Thread Size
-013	GJF-013	1/2" BSPT
-020	GJF-020	3/4" BSPT
-025	GJF-025	1" BSPT
-032	GJFN-032	1.1/4" NPT
-038	GJFN-038	1.1/2" NPT
-051	GJFN-051	2" NPT

GJM

MALE SPUD
MALE BSPT / NPT THREAD



MALE SPUD		
Coupling Size	Product Code	Thread Size
-013	GJM-013	1/2" BSPT
-020	GJM-020	3/4" BSPT
-025	GJM-025	1" BSPT
-032	GJMN-032	1.1/4" NPT
-038	GJMN-038	1.1/2" NPT

GJS / GJSN

MALE BSPT / NPT HOSE STEM



MALE HOSE STEM		
Hose Size	Product Code	Thread Size
-013 (1/2")	GJS-013	1/2" BSPT
-020 (3/4")	GJS-020	3/4" BSPT
-025 (1")	GJS-025	1" BSPT
-025 (1")	GJSN-025	1" NPT
-032 (1.1/4")	GJSN-032	1.1/4" NPT
-038 (1.1/2")	GJSN-038	1.1/2" NPT

GJH

HOSE STEM

REQUIRES INTERLOCKING CLAMP & WING NUT



HOSE STEM		
Hose Size	Product Code	
-013 (1/2")	GJH-013	
-020 (3/4")	GJH-020	
-025 (1")	GJH-025	
-032 (1.1/4")	GJH-032	
-038 (1.1/2")	GJH-038	
-051 (2")	GJH-051	

GJN

WING NUT

SUITS BOTH 3/4" & 1" SPUDS



WING NUT		
Coupling Size	Product Code	Suits Spud Sizes
-013	GJN-013	-013
-025	GJN-025	-020, -025
-038	GJN-038	-032, -038
-051	GJN-051	-051

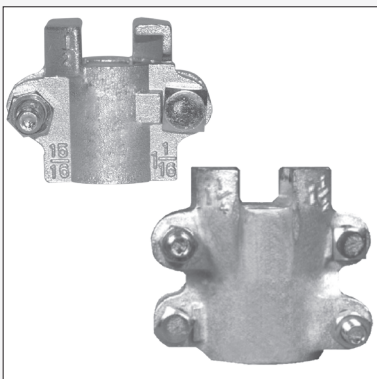
Note that the 1" Wing Nut is common to both 3/4" and 1" sizes, since the threaded Spud size that it screws on to is common to all sizes.

In the same way, the 1 1/2" Wing Nut is common to both 1 1/4" and 1 1/2" sizes

IHC

INTERLOCKING HOSE CLAMP

2-BOLT & 4-BOLT



INTERLOCKING CLAMP *					
Coupling Size	Product Code	No. of Bolts	Suits Hose Size	Range of OD (mm)	"Recommended Torque Nm / lbf.ft"
-013	IHC2B-013	2	1/2"	23.8 - 27.0	16.2 / 12
-020	IHC2B-020	2	3/4"	30.2 - 33.3	28.4 / 21
-025	IHC4B-025	4	1"	38.9 - 43.7	28.4 / 21
-032	IHC2B-032	2	1.1/4"	45.2 - 53.2	52.9 / 39
-038	IHC4B-038	4	1.1/2"	55.6 - 60.3	52.9 / 39
-051	IHC4B-051	4	2"	63.5 - 70.6	81.2 / 60

* Recommended for Ground Joint Fittings on steam and high pressure air hoses

INDUSTRIAL FITTINGS

SAFE PRACTICE REQUIREMENTS

GENERAL INFORMATION

- Cold Flow is a phenomena related to rubber (elastomers). Rubber moves away from points of stress!
- Pressure and heat intensify the Cold Flow movement
- Since steam presents both pressure as well as heat, it becomes very important in choosing the proper means of clamping the assembly
- Clamping systems are not a 'set and forget' aspect of industrial hose assemblies. It is essential that a maintenance schedule be established to include a regular check of the efficacy of clamps throughout the life of a hose assembly
- Plasticisers are incorporated into PVC compounds to provide flexibility and softness, contributing to the handling characteristics of the hose
- Plasticisers are in general less resistant to chemical attack than the PVC compound itself, with the result that exposure of the hose to acids and alkalis will gradually degrade the plasticiser and cause hardening, embrittlement, and general deterioration of the hose. These effects are exacerbated in the presence of heat and / or with increasing levels of acidity / alkalinity
- Chemical compatibility charts for both rubber and PVC hoses are to be found in the Technical Section Q of the Catalogue. With PVC hoses in particular, full scale trials under real world conditions should be used where safety and / or reliability are paramount considerations
- Guidelines for the installation and maintenance of industrial hoses are more fully provided in Technical Section Q. These should be consulted in conjunction with the following fitting-specific guidelines

INSTALLATION

- Fittings for specific applications such as concrete pumping and food transfer involve the use of swaged ferrules, and are the subject of documented assembly procedures within Pirtek's M.A.P.S. system
- With regard to other procedures, it is important to realise that a wrong choice of clamp / fitting combination can have serious consequences by way of damage to property or injury to personnel.

2 BOLT CLAMPS

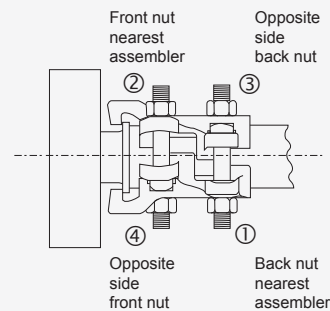
- Using the inside and outside dimensions of the chosen hose, select the correct size clamp by reference to the "Range of OD" dimensional data. The selected clamp and hose tail combination must match the hose dimensions. Hose OD refers to the measurement applying before the hose tail is inserted
- A properly selected clamp will have the hose OD falling near the maximum limit of the hose clamp, to allow the maximum amount of latitude for re-tightening throughout the life of the assembly
- Tightening sequence: tighten the first bolt with the nut facing the assembler 1 full turn. Tighten the opposing bolt 1 full turn. Repeat the sequence using a torque wrench until the recommended torque has been reached
- Periodically retighten the clamp to the specified torque setting to counteract the loosening induced by Cold Flow
- The opposing components of the clamp should never be allowed to touch. Nor should the gripping fingers contact the base of the retention groove (see 4-bolt diagram following)
- Never re-use 2 or 4 bolt clamps

4 BOLT CLAMPS

As for the 2 Bolt Clamps except for the tightening sequence, which is: Back bolt with nut facing assembler and furthest from gripping fingers tightened 1 full turn. Followed by the front bolt with nut facing assembler and nearest the gripping finger 1 full turn. Snug by hand for the loose bolts opposing the nuts just tightened. Repeat 1 full turn for the back and front bolts originally tightened. Repeat snug by hand for the opposing bolts in turn. Continue the sequence until the nominated torque settings are applied to all bolts uniformly

The same criteria as for 2 bolt clamps apply for 4 bolt clamps ie opposing halves must not come in contact, and gripping claws must remain clear of the base of the retention groove when all bolts are properly torqued. If these criteria are not met, the clamps must be discarded and replaced by new and properly sized clamps

OTHER CLAMPS AND BANDS



The number and positioning of other clamps and bands will vary according to the size and pressures in use. Some principles however do not vary

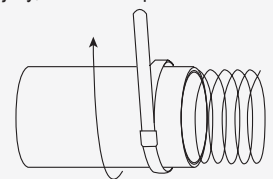
- Hose ends must be cut square (90° to the length of the hose) and hose ends cleaned for proper coupling insertion. Improper insertion can reduce coupling retention
- Determine number of clamps required (consult Pirtek if in doubt)
- Mark the hose for proper clamp placement to achieve maximum retention. Place marks as follows:

1. For tails having serrations that are all the same size, like combination nipples: place the tail next to the hose to simulate full insertion and place a mark on the outside of the hose corresponding with point of last serration (furthest from hose end).

For multiple clamp installation, place additional mark(s) equally spaced between first mark and hose end ensuring that about 8mm space is left between hose end and last clamp installed

2. For tails having a few pronounced ridges such as cam & groove fittings, place the tail next to the hose to simulate full insertion and place mark(s) on the hose exterior corresponding to the point(s) of the pronounced ridges. Avoid placing the clamps on these positions
- If 2 or more clamps are used, offset them at equal amounts around the circumference to avoid development of flow paths

- For hoses having a helical wire, determine which direction the helical wire is pointing. Trim the wire to prevent injury, and install pre-formed band clamps or bands and buckles in such a way that the 'tail' of the band points in the same direction as the lay of the helical wire. See illustration at right

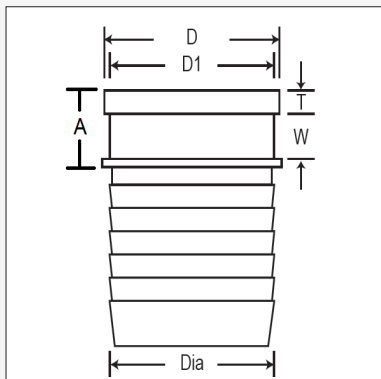


- Seal each hose end to prevent corrosion of the exposed reinforcing material. Normally, rubber cement or shellac is used. Contact Pirtek for specific recommendations
- Use a coupling lubricant on the tail and inside the hose diameter prior to coupling insertion. Do not use lubricants, oil, grease, or other substances that may attack the hose lining and / or reduce coupling retention
- Static Grounding. When static grounding is required it is essential that it be done properly. It is normally achieved by bending the built-in static wire or the helical wire (or wires) inside the hose bore so that the wire or wires make contact with the metal coupling. Bend in no more wire than necessary. 12 mm is usually sufficient. Check effectiveness with a multimeter and always consult Pirtek if in doubt

PIPE FITTINGS HOSE TAILS

ISCT

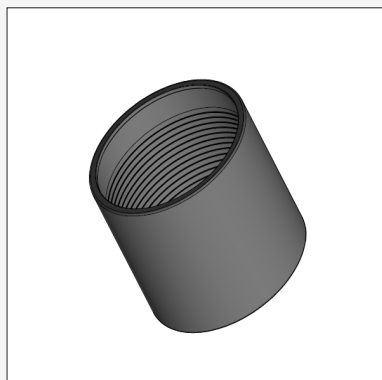
SHOULDERED CRIMP TAIL PLATED STEEL



Hose Size	Product Code	Dimensions mm				
		D	D1	A	T	W
4"	ISCT-102SF	122.0	114.3	78.5	17.5	20.0
6"	ISCT-152SF	174.5	165.1	85.0	17.5	20.0

SF

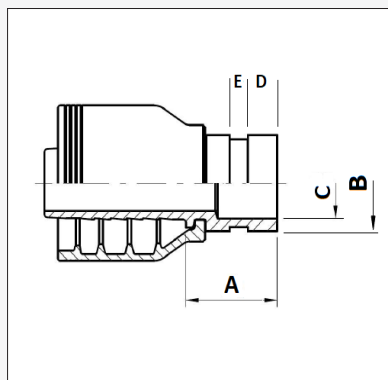
PLATED STEEL FERRULE SUIT ISCT CRIMP TAILS



Hose Size	Product Code	"Ferrule I.D. (mm)"	"Ferrule Length (mm)"	"Suit hose O.D max. (mm)"
3"	SF-48-092	95	106	92
3"	SFHD-076-098	100	106	98
4"	SF-102-122	125.0	101	122
4"	SF-102-125	128.0	101	125
6"	SF-152-172	177.0	143	172

RG1

ROLL GROOVED PIPE HOSE TAIL

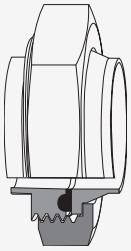


"Product Code"	Hose Bore			DIMENSIONS				
	DN	Inch	Size	A	B	C	D	E
RG1-3232J	50	2"	32	52	60.3	53.7	15.8	8.7

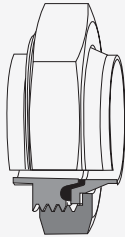
FOOD GRADE FITTINGS

BSM /RJT FITTINGS TO AS1528, PART 4

OTHER FITTING STYLES AVAILABLE ON REQUEST

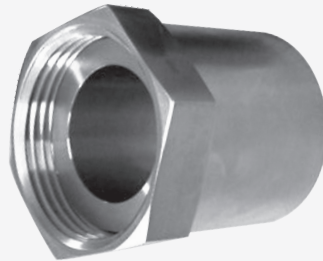


FLAT FACED
(CIP MODIFIED)

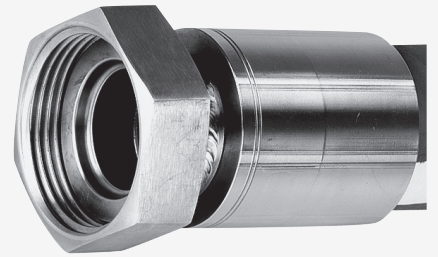


BSM STANDARD
(RJT)

ASSEMBLY DETAIL



FLAT FACED (CIP MODIFIED)
FEMALE HOSE TAIL



BSM STD. (RJT)
FEMALE HOSE TAIL

Description:

- Hygienic couplings for use in the food, beverage and dairy industries
- Two types dominate the market - the original BSM design and the increasingly common Flat Face type
- BSM Standard uses a round O-Ring as opposed to the D shaped Seal used in the Flat Face design
- The BSM Nut is common to both types

Materials and Sizes:

- **Sizes:**
Available in a range of sizes from 1" to 4"
- **Material:**
316 Stainless Steel fitting

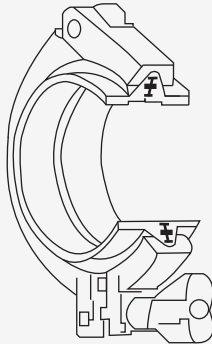
Operation:

Flat Face fittings are the more common hygienic option in Australia today due to their superior design that offers:

- no crevices
- easy access
- compatibility
- a wide range of gasket materials

The Flat Face style is sometimes referred to as BSM modified, or BSM lip removed

TRI-CLOVER® FITTINGS (SEE NOTE BELOW)



Description:

- Hygienic couplings for use in the food, beverage and pharmaceutical industries
- A connection is made up of a stainless steel hose tail, a clamp, and a gasket

Materials and Sizes:

- **Sizes:**
Available in a range of sizes from 1" to 4"
- **Material:**
316 Stainless Steel hose tail

Features:

The most common hygienic fitting option in the dairy industry today

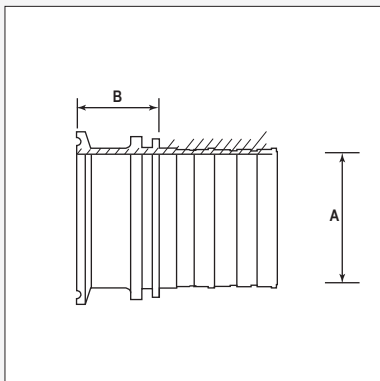
- crevice free interior
- secure self-aligning joint system



Food grade fittings are available only as part of certified, tested custom made food grade assemblies produced by Pirtek

IFFBSM

316 S/S BSM FLAT FACE HOSE TAIL

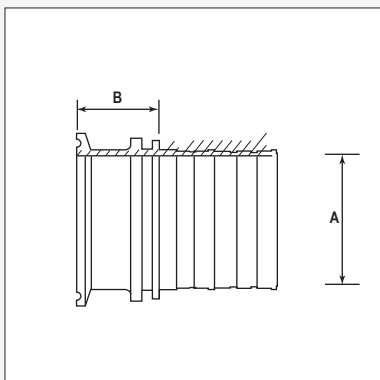


HOSE STEM			
Product Code	Dimensions		
	Hose Size A	Head	B (mm)
IFFBSM-025	25mm (1")	25mm (1")	46.2
IFFBSM-038	38mm (1.1/2")	38mm (1.1/2")	45.4
IFFBSM-050	50mm (2")	50mm (2")	46.4
IFFBSM-063	63mm (2.1/2")	63mm (2.1/2")	47.4
IFFBSM-076	76mm (3")	76mm (3")	47.4
IFFBSM-100	102mm (4")	100mm (4")	47.4

* NOTE: NOT supplied with BSM Nut

IFFRJT

316 S/S BSM RJT HOSE TAIL

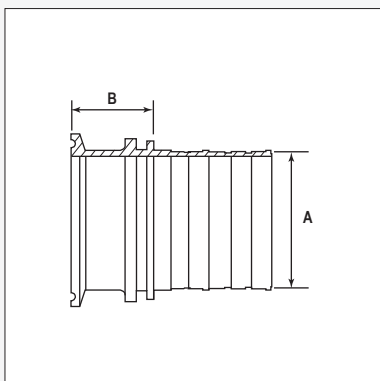


HOSE STEM			
Product Code	Dimensions		
	Hose Size A	Head	B (mm)
IFFRJT-025	25mm (1")	25mm (1")	46.2
IFFRJT-038	38mm (1.1/2")	38mm (1.1/2")	45.4
IFFRJT-050	50mm (2")	50mm (2")	46.4
IFFRJT-063	63mm (2.1/2")	63mm (2.1/2")	47.4
IFFRJT-076	76mm (3")	76mm (3")	47.4
IFFRJT-100	102mm (4")	100mm (4")	47.7

* NOTE: NOT supplied with BSM Nut

IFFTC

316 S/S TRI CLOVER HOSE TAIL



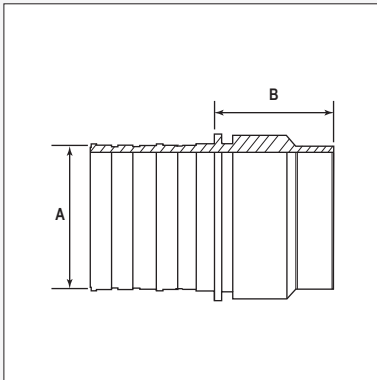
HOSE STEM			
Product Code	Dimensions		
	Hose Size A	Head	B (mm)
IFFTC-038	38mm (1.1/2")	38mm (1.1/2")	45.6
IFFTC-050	50mm (2")	50mm (2")	32.2

* NOTE: NOT supplied with Clamp

IFFSE

316 S/S STUB END HOSE TAIL

TO SUIT BSM / TRI CLOVER WELD ON LINERS & TUBE BENDS

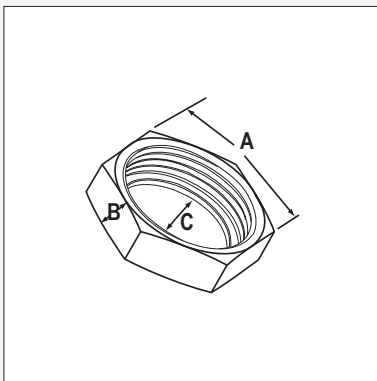


HOSE STEM			
Product Code	Dimensions		
	Hose Size A	Head	B (mm)
IFFSE-025	25mm (1")	25mm (1")	47.0
IFFSE-038	38mm (1 1/2")	38mm (1 1/2")	46.2
IFFSE-050	50mm (2")	50mm (2")	47.2
IFFSE-063	63mm (2 1/2")	63mm (2 1/2")	48.2
IFFSE-076	76mm (3")	76mm (3")	48.2

* NOTE: NOT supplied with BSM Nut

IFFNUT

304 S/S BSM HEX NUT

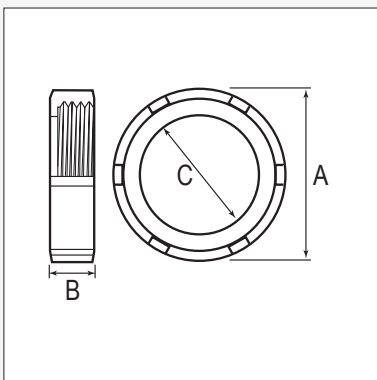


BSM NUT				
Product Code	Dimensions			
	A (mm)	B (mm)	C (mm)	Thread
IFFNUT-025	50.8	22.0	33.3	42.266 x 8 TPI Whit
IFFNUT-038	65.0	22.0	46.0	54.966 x 8 TPI Whit
IFFNUT-050	79.4	22.0	58.7	67.920 x 6 TPI Whit
IFFNUT-063	92.1	22.0	71.4	80.260 x 6 TPI Whit
IFFNUT-076	104.8	22.0	84.1	93.320 x 6 TPI Whit
IFFNUT-100	130.2	22.0	109.5	118.72 x 6 TPI WHIT

Note that Dimension 'C' refers to the hole diameter - not thread ID

IFFSNUT

304 S/S BSM SLOTTED NUT

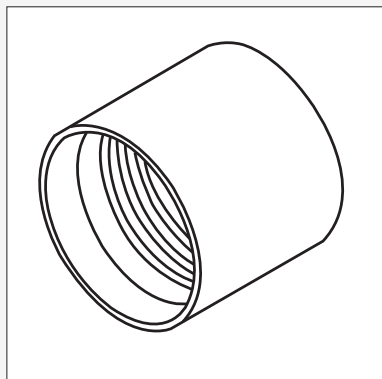


BSM SLOTTED NUT				
Product Code	Dimensions			
	A (mm)	B (mm)	C (mm)	Thread
IFFSNUT-025	59.0	22.0	33.5	42.266 x 8 TPI Whit
IFFSNUT-038	74.0	22.0	46.0	54.966 x 8 TPI Whit
IFFSNUT-050	86.0	22.0	58.7	67.920 x 6 TPI Whit
IFFSNUT-063	98.0	22.0	71.4	80.260 x 6 TPI Whit
IFFSNUT-076	112.0	22.0	84.0	93.320 x 6 TPI Whit
IFFSNUT-100	139.0	22.0	109.0	118.72 X 6 TPI WHIT

Note that Dimension 'C' refers to the hole diameter - not thread ID

IFFF

304 S/S FERRULE TO SUIT BEVERAGE DELIVERY & PREMIUM FOOD HOSES

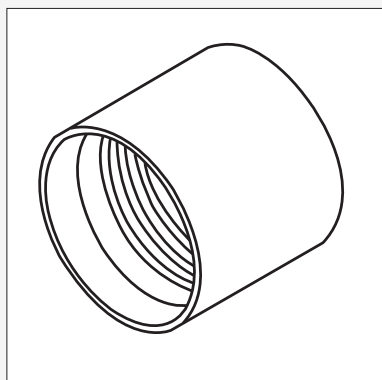


FERRULE FOR HOSE STEM			
Product Code	Dimensions		
	Hose Size A	Suits Pirtek Hose	Ferrule ID(mm)
IFFF-025	25mm (1")	IRBD / IRPF	41
IFFF-038*	38mm (1 1/2")	IRBD / IRPF / IRLF	55
IFFF-050	50mm (2")	IRBD / IRPF / IRPLF	67
IFFF-063	63mm (2 1/2")	IRBD / IRPF	85
IFFF-076	76mm (3")	IRBD / IRPF	96
IFFF-100*	102mm (4")	IRPF	122

* Can be used on PVC suction hoses

IFFLF

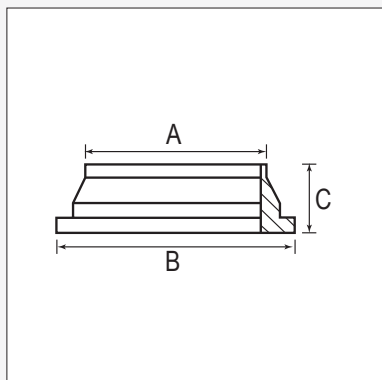
304 S/S FERRULE TO SUIT LIQUID FOOD HOSES & PVC SUCTION HOSES



FERRULE FOR HOSE STEM			
Product Code	Dimensions		
	Hose Size A	Suits Pirtek Hose	Ferrule ID (mm)
IFFLF-025	25mm (1")	IRLF	41
IFFLF-050	50mm (2")	IRLF, IRPLF	67
IFFLF-063	63mm (2 1/2")	IRLF, IRPLF	82.5
IFFLF-076	76mm (3")	IRLF	96

IFFLBSM

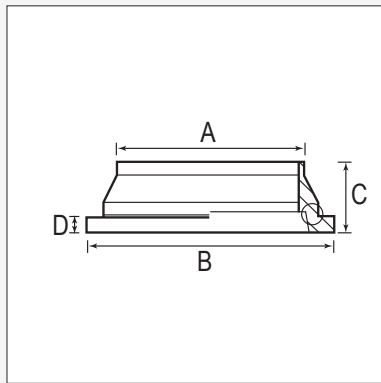
316 S/S BSM FLAT FACE WELD ON LINER



BSM FLAT FACE WELD ON LINER				
Product Code	Dimensions			
	A (mm)	B (mm)	C (mm)	D (mm)
IFFLBSM-025	25.4	41.3	19.0	4.2
IFFLBSM-038	38.1	54.0	19.0	4.2
IFFLBSM-050	50.8	66.7	19.0	4.2
IFFLBSM-063	63.5	79.4	19.0	4.2
IFFLBSM-076	76.2	92.1	19.0	4.2
IFFLBSM-100	101.6	117.5	19.0	4.2

IFFLRJT

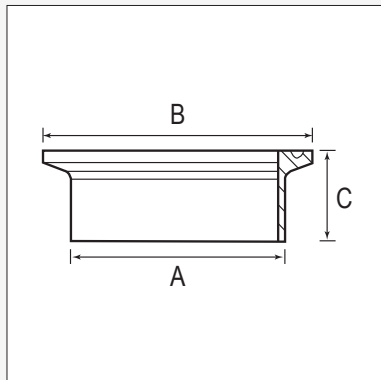
316 S/S BSM RJT
WELD ON LINER



BSM RJT WELD ON LINER				
Product Code	Dimensions			
	A (mm)	B (mm)	C (mm)	D (mm)
IFFLRJT-025	25.4	41.3	19.0	4.2
IFFLRJT-038	38.1	54.0	19.0	4.2
IFFLRJT-050	50.8	66.7	19.0	4.2
IFFLRJT-063	63.5	79.4	19.0	4.2
IFFLRJT-076	76.2	92.1	19.0	4.2
IFFLRJT-100	101.6	117.5	19.0	4.2

IFFLTC

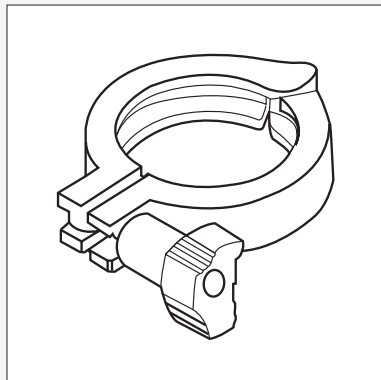
316 S/S TRI CLOVER
WELD ON LINER



TRI CLOVER WELD ON LINER			
Product Code	Dimensions		
	A (mm)	B (mm)	C (mm)
IFFLTC-025	25.4	50.5	21.5
IFFLTC-038	38.1	50.5	21.5
IFFLTC-050	50.8	64.0	21.5
IFFLTC-063	63.5	77.5	21.5
IFFLTC-076	76.2	91.0	21.5
IFFLTC-100	101.6	119.0	21.5

IFFTCC

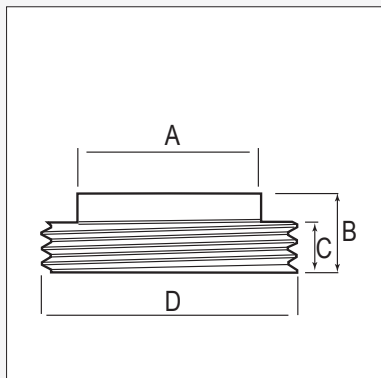
304 S/S TRI CLOVER CLAMP



TRI CLOVER CLAMP	
Product Code	Dimensions
	A (mm)
IFFTCC-025	25mm (1")
IFFTCC-038	38mm (1 1/2")
IFFTCC-050	50mm (2")
IFFTCC-063	63mm (2 1/2")
IFFTCC-076	76mm (3")
IFFTCC-100	102mm (4")

IFFLMBSM

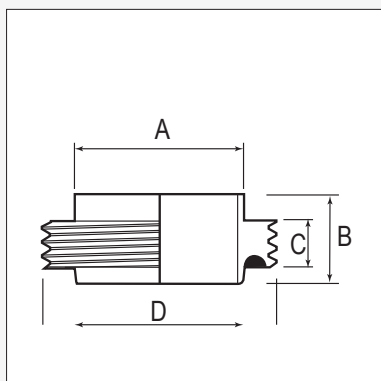
316 S/S BSM FLAT FACE MALE
THREAD WELD ON LINER



BSM FLAT FACE MALE THREAD WELD ON LINER				
Product Code	Dimensions			D9mm
	A (mm)	B (mm)	C (mm)	
IFFLMBSM-025	25.4	22.0	14.0	45.7 X 8TPI WHIT
IFFLMBSM-038	38.1	22.0	14.0	58.4 X 8TPI WHIT
IFFLMBSM-050	50.8	22.0	14.0	72.7 X 6TPI WHIT
IFFLMBSM-063	63.5	22.0	14.0	85.4 X 6TPI WHIT
IFFLMBSM-076	76.2	22.0	14.0	98.1 X 6TPI WHIT
IFFLMBSM-100	101.6	22.0	14.0	123.5 X 6TPI WHIT

IFFLMRJT

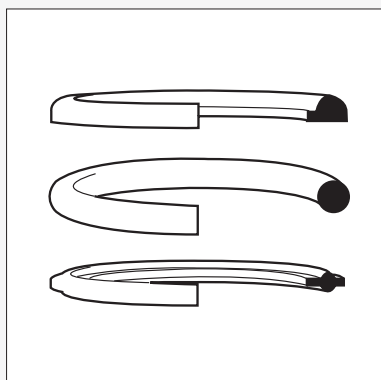
316 S/S BSM RJT MALE THREAD WELD ON LINER



BSM RJT MALE THREAD WELD ON LINER				
Product Code	Dimensions			D(mm)
	A (mm)	B (mm)	C (mm)	
IFFLMRJT-025	25.4	26.8	14.0	45.7 X 8TPI WHIT
IFFLMRJT-038	38.1	26.8	14.0	58.4 X 8TPI WHIT
IFFLMRJT-050	50.8	26.8	14.0	72.7 X 6TPI WHIT
IFFLMRJT-063	63.5	26.8	14.0	85.4 X 6TPI WHIT
IFFLMRJT-076	76.2	26.8	14.0	98.1 X 6TPI WHIT
IFFLMRJT-100	101.6	26.8	14.0	123.5 X 6TPI WHIT

IFFOR/SL

EPDM ORING / SEAL TO SUIT
BSM & TRI CLOVER FITTINGS



EPDM ORING TO SUIT BSM & TRI CLOVER FITTINGS			
Product Code			Size
Flat Face (Top)	RJT (Middle)	Tri Clover (Bottom)	
IFFORBSM-025	IFFORRJT-025	IFFSLTC-025	25mm (1")
IFFORBSM-038	IFFORRJT-038	IFFSLTC-038	38mm (1 1/2")
IFFORBSM-050	IFFORRJT-050	IFFSLTC-050	50mm (2")
IFFORBSM-063	IFFORRJT-063	IFFSLTC-063	63mm (2 1/2")
IFFORBSM-076	IFFORRJT-076	IFFSLTC-076	76mm (3")
IFFORBSM-100	IFFORRJT-100	IFFSLTC-100	102mm (4")

IFFTB45P

316 S/S POLISHED TUBE BENDS 45°



316 ST. STEEL POLISHED TUBE BENDS 45°		
Product Code	Dimensions	
	mm	
IFFTB45P-025	25	1.6 (#16 gauge)
IFFTB45P-038	38	1.6 (#16 gauge)
IFFTB45P-050	50	1.6 (#16 gauge)
IFFTB45P-063	63	1.6 (#16 gauge)
IFFTB45P-076	76	1.6 (#16 gauge)
IFFTB45P-100	100	1.6 (#16 gauge)

IFFTB90P

316 S/S POLISHED TUBE BENDS 90°



316 ST. STEEL POLISHED TUBE BENDS 90°		
Product Code	Dimensions	
	mm	
IFFTB90P-025	25	1.6 (#16 gauge)
IFFTB90P-038	38	1.6 (#16 gauge)
IFFTB90P-050	50	1.6 (#16 gauge)
IFFTB90P-063	63	1.6 (#16 gauge)
IFFTB90P-076	76	1.6 (#16 gauge)
IFFTB90P-100	100	1.6 (#16 gauge)